

305W - 320W

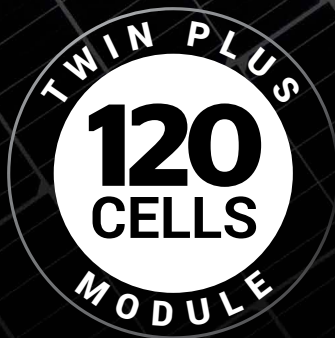
SUMEC

Phono[®] Solar

AUSTRALIA

INTRODUCING

Twin Plus Module Technology!



More Power

Low power loss in cell connection

Low temperature coefficient (Pmax): $-0.37\% / ^\circ\text{C}$

Low NOCT: $43 \pm 2^\circ\text{C}$

More Reliable

Lower hot spot temperature

PID Resistant

Better Shading Tolerance

Optimal yields, whatever the weather with excellent low-light and temperature behaviour.



BLOOMBERG
TEIR 1 BRAND



OWNED BY
FORTUNE 500
GLOBAL COMPANY



TOP
PERFORMING
PANEL



AUSTRALIAN
OFFICE AND
REPRESENTATION

- 12-year product warranty
- 25-year linear performance warranty to 80.68%

1. In compliance with our warranty terms and conditions.

NOTE:

This datasheet is not legally binding. Phono Solar reserves the right to make specifications changes without notice. Further information can be found on our website: www.phonosolar.com

SUMEC

Phono[®] Solar

AUSTRALIA

Suite 3, 130-134 Pacific Highway
Greenwich NSW 2065

PHONO SALES

184 Bluestone Circuit
Seventeen Mile Rocks QLD 4073
Tel: 07 3160 5259

www.phonosolar.com

Twin Plus Module

305W
-
320W

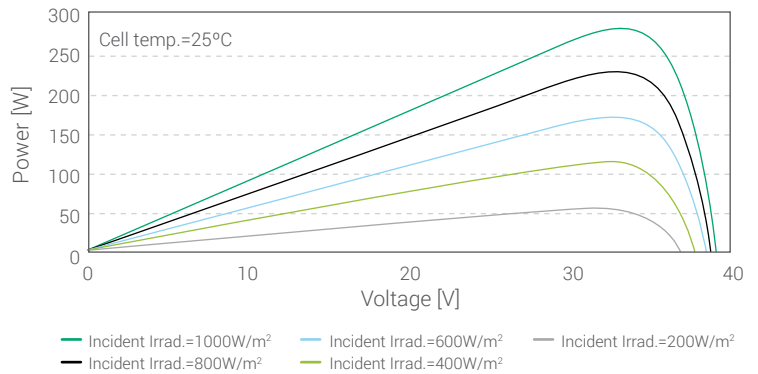
ELECTRICAL TYPICAL VALUES

Model	PS305M-20/UH PS305MH-20/UH	PS310M-20/UH PS310MH-20/UH	PS315M-20/UH PS315MH-20/UH	PS320M-20/UH PS320MH-20/UH
Type	Monocrystalline 6 inch x 3 inch, 2 x 60 cells			
Rated Power (Pmpp)	305	310	315	320
Tolerance	0~+5	0~+5	0~+5	0~+5
Rated Current (Impp)	9.13	9.22	9.31	9.39
Rated Voltage (Vmpp)	33.41	33.63	33.84	34.08
Short Circuit Current (Isc)	9.58	9.67	9.76	9.85
Open Circuit Voltage (Voc)	39.68	39.90	40.11	40.35
Module Efficiency (%)	18.36	18.66	18.96	19.26
NOCT (Nominal Operation Cell Temperature)	43°C ± 2°C			
Voltage Temperature Coefficient	-0.286%/°C			
Current Temperature Coefficient	+0.051%/°C			
Power Temperature Coefficient	-0.368%/°C			

MECHANICAL CHARACTERISTICS

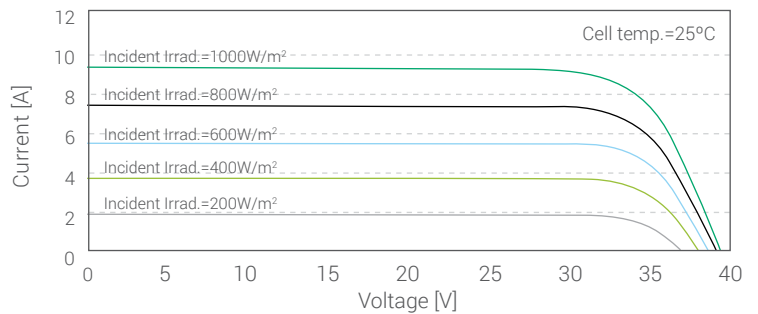
Dimensions	Length: 1675mm, Width: 992mm Height: 35mm
Weight	18.5kg
Front Glass	3.2mm toughened glass
Frame	Anodized aluminium alloy
Cable	4mm ² (IEC), 1150mm
Junction Box	IP 68 rated
Connectors	MC4 (1000Vdc) / EVO2 (1500Vdc) Connectors

WEAK LIGHT PERFORMANCE



ABSOLUTE MAXIMUM RATING

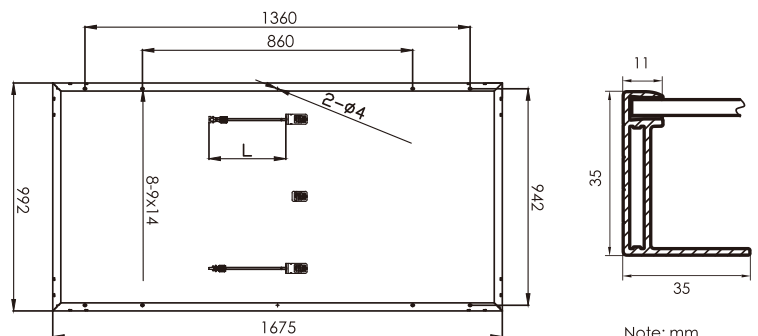
Parameter	Values
Operating Temperature	From -40 to +85°C
Hail Diameter @ 80km/h	Up to 25mm
Surface Maximum Load Capacity	Up to 5400Pa
Maximum Series Fuse Rating	20A
IEC Application Class (IEC61730)	A
Fire Rating (IEC61730)	C
Module Fire Performance (UL1703)	Type 1
Maximum System Voltage	DC 1000V/1500V (IEC/ETL)



PACKING CONFIGURATION

Container	20' GP	40' HQ
Pieces per container	312	832

Measurement conditions under irradiance level of Standard Test Conditions (STC): Rated Power (Pmpp), 1000W/m², Air mass 1.5 Spectrum, cell temperature of 25°C.



Sumec Phono Solar modules are proudly manufactured in China